

RANGE COMPOSITION

Zanussi Professional have designed and produced a complete range of refrigerated tables, that combines the dual function of worktop and refrigerated table. This versatility allows notable savings in space whilst offering functional and modular solutions to kitchen requirements.



728248

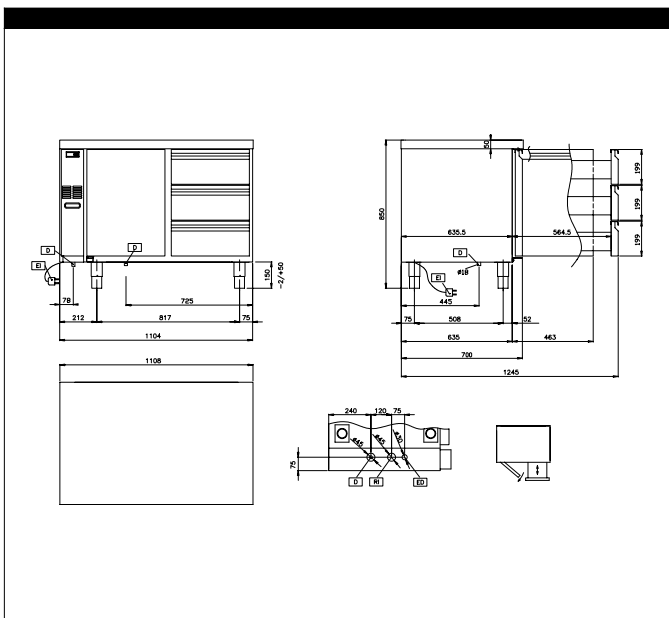
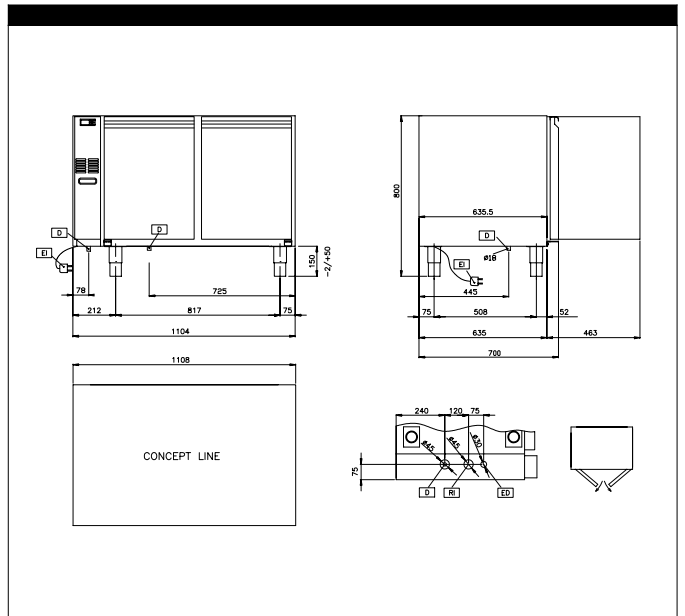
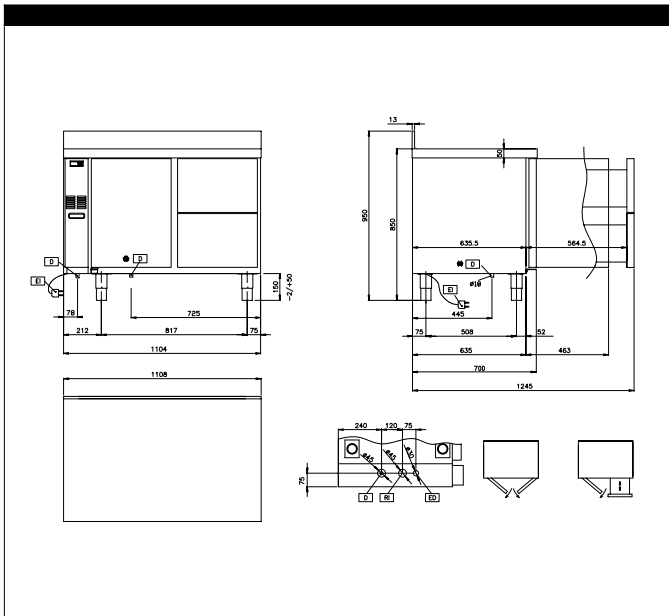
CONCEPT SERIES - REMOTE

REFRIGERATED TABLES - 2 COMPARTMENTS **ZANUSSI** PROFESSIONAL

FUNCTIONAL AND CONSTRUCTION FEATURES

- ◆ Remote refrigeration unit.
- ◆ 150mm height-adjustable feet.
- ◆ Internal and external doors, front and side panels and worktop in 304 AISI stainless steel.
- ◆ Rounded internal corners for ease of cleaning.
- ◆ Refrigerated compartment designed to accommodate GN 1/1 containers.
- ◆ Digital control panel.
- ◆ Suitable to operate in ambient temperatures up to +43°C. Temperature range: -2/+10 °C.
- ◆ Forced air circulation for rapid cooling and an even temperature distribution.
- ◆ Automatic evaporation of defrost water. Drain outlet.
- ◆ Access to all components from the front.
- ◆ In compliance with H requirements.
- ◆ C.F.C. and H.C.F.C. free.
- ◆ High-density expanded polyurethane foam, 50 mm in thickness, with cyclopentane injection.
- ◆ Developed and produced in ISO 9001 and ISO 14001 certified factory.

CHARACTERISTICS	MODELS				
	HB2PR 728247	HB2PNTR 727108	HB1P2CR 728248	HB1P3CR 728254	HB4CR 728259
Operating temperature - min/max °C	-2/10	-2/10	-2/10	-2/10	-2/10
Operating mode	Ventilated	Ventilated	Ventilated	Ventilated	Ventilated
Gross capacity (D.I.N. 8952) - l.	265	265	265	265	265
Cooling unit	Remote	Remote	Remote	Remote	Remote
External dimensions - mm					
width	1108	1108	1108	1108	1108
depth/with open doors	700, 1102	700, 1098	700, 1102	700, 1102	700, 1102
height	850	800	850	850	850
Internal dimensions - mm					
width	543.5				
depth	580	580	580	580	580
height	543	543	543	543	543
Without worktop		●			
Top material	304 AISI	Galvanized Steel	304 AISI	304 AISI	304 AISI
Min/Max internal humidity - %	50	50	50	50	50
N° of drawers			2x1/2	3x1/3	4x1/2
Door hinges	1 Left+1 Right	1 Left+1 Right	Right Side	Right Side	
N° defrost in 24 hrs.	4/30	4/30	4/30	4/30	4/30
Refrigerant type	R404a	R404a	R404a	R404a	R404a
Refrigerant power at evaporation temperature - °C	-23	-23		-23	-23
Power - kW					
installed-electric	0.015	0.09	0.015	0.015	0.009
Net weight - kg.	107	107	114	119	122
Power supply - V, phases, Hz	230 V, 1N, 50	230 V, 1N, 50	230 V, 1N, 50	230 V, 1N, 50	230 V, 1N, 50
INCLUDED ACCESSORIES					
1/1 GN GREY "RILSAN" GRID	2	2	1	1	



	HB2PR 728247	HB2PNTR 727108	HB1P2CR 728248	HB1P3CR 728254	HB4CR 728259
D - Water drain	18mm	18mm	18mm	18mm	16mm
ED - Remote electrical connection	●	●	●	●	●
EI - Electrical connection	230 V, 1N, 50	230 V, 1N, 50	230 V, 1N, 50	230 V, 1N, 50	230 V, 1N, 50

ACCESSORIES	MODELS				
	HB2PR 728247	HB2PNTR 727108	HB1P2CR 728248	HB1P3CR 728254	HB4CR 728259
2x½ DRAWER KIT FOR REFRIGERATED TABLES	880118	880118	880118	880118	
3x1/3 DRAWER KIT FOR REFRIGERATED TABLES	880115	880115	880115	880115	880115
AUTOMATIC DEFROST WITH WASTE EVAPORATION	880028	880028	880028	880028	880028
DRAWER KIT-1/3+2/3 (BOTTLES)-REF.TABLES	880126	880126	880126	880126	880126
KIT 2 S/S GRIDS GN1/1 FOR REFRIG.TABLES	880139	880139	880139	880139	
KIT 4 WHEELS (2 W/BRAKE)+4 (40MM)SPACERS	880025	880025	880025	880025	880025
KIT DOOR REVERSIBILITY FOR REF.TABLES	880046	880046	880046	880046	880046
KIT HACCP EKIS	922166	922166	922166	922166	922166
KIT INTEGRATED HACCP-DIG. REFR. (IR33)	880205	880205	880205	880205	880205
LOCK KIT FOR REFRIGERATED TABLES	880130	880130	880130	880130	880130
PRINTER FOR HACCP BASIC VERSION REFRIG.	881457	881457	881457	881457	881457
REMOTE UNIT FOR 2-3 DOOR REFRIG.TABLES	880044	880044	880044	880044	880044
S/S STRUCTURE TO SUPPORT 6 GRIDS (R+L)	880140	880140	880140	880140	
WORKTOP FOR 2 DOOR REFRIG.TABLES-REMOTE		880195			
WORKTOP+UPSTAND F. 2 DOOR REF.TABLE-REM		880117			



www.zanussiprofessional.com